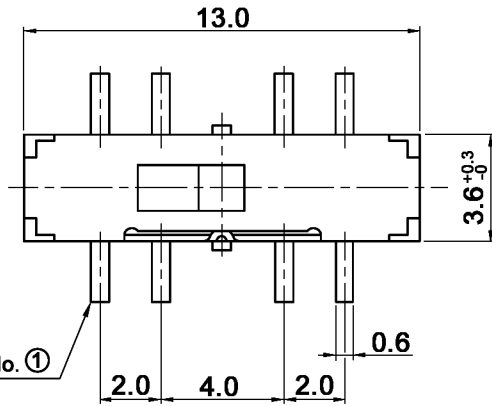
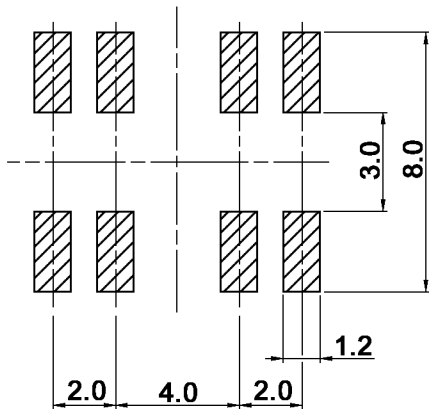


8x **A** common tolerances zone

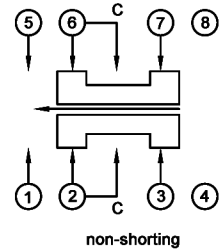
0.1



P.C. LAYOUT



CIRCUIT DIAGRAM
C: COMMON PIN



Compliance: RohS III (2015/863/EU)

Tolerances: up to 10: ±0.2mm above 10-50: ±0.3mm above 50-100: ±0.5mm	Date	Name
	03/24	dr
Modifications	Date	Name

MMS 228 x

30 53 47

Page

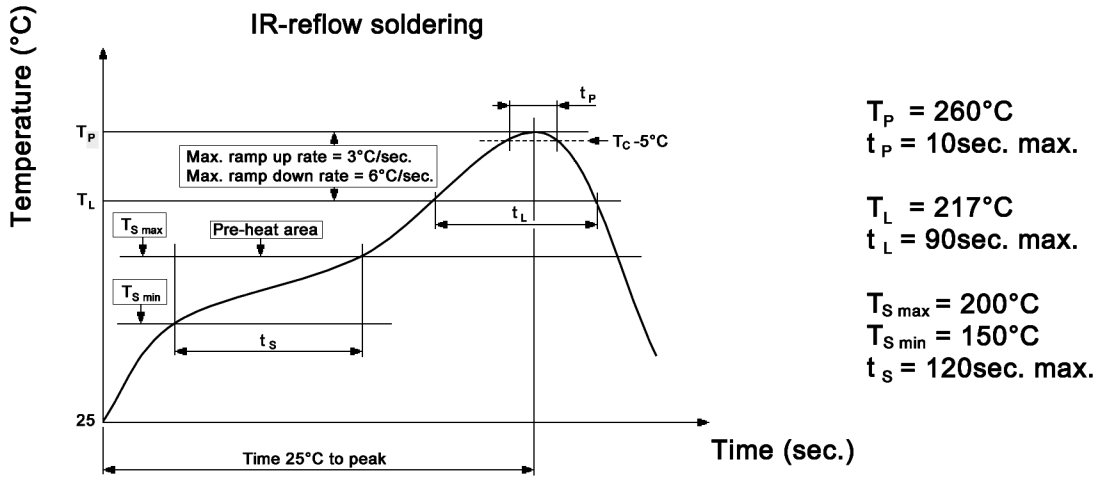
1/3

knitter-switch

Specifications:

Contact rating: 200mA, 12V DC / 300mA, 6V DC (100mA, 24V DC)
Contact resistance: 70mOhm max.
Insulation resistance: 100MOhm min. at 500V DC
Dielectric strength: 500V, 50Hz for the duration of 1 minute
Operating temperature: -40°C to +85°C
Mechanical life: 10 000 cycles min.
Contact timing: non-shorting
Switching function: on - on
Material: Terminal: brass strip
 Cover: SUS, natural
 Slider / case: PPA, black
 Contact plate: SUS

Soldering conditions:



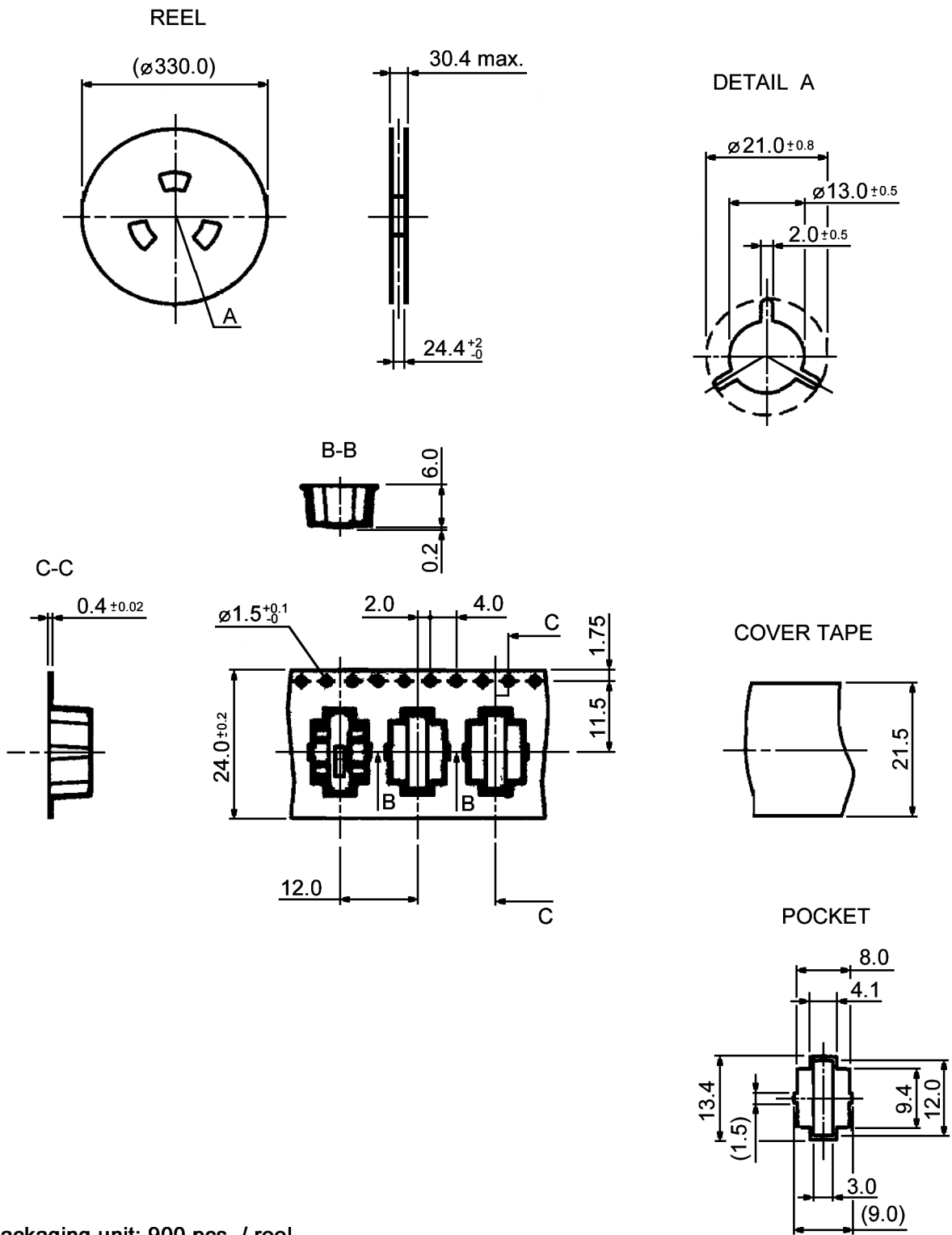
x	Contact/terminal surface	with/without grease
T	silver plated	with
T-F	silver plated	without
BT	gold plated	with
BT-F	gold plated	without

Compliance: RohS III (2015/863/EU)

Tolerances: up to 10: ±0.2mm above 10-50: ±0.3mm above 50-100: ±0.5mm	Date	Name	<h1>MMS 228 x</h1>
	03/24	dr	
			<h2>30 53 47</h2>
			Page
			2/3
Modifications	Date	Name	

knitter-switch

Packaging:



Packaging unit: 900 pcs. / reel
 Compliance: RohS III (2015/863/EU)

Tolerances: up to 10: ±0.2mm above 10-50: ±0.3mm above 50-100: ±0.5mm	Date	Name
	03/24	dr
Modifications	Date	Name

MMS 228 x

30 53 47

knitter-switch